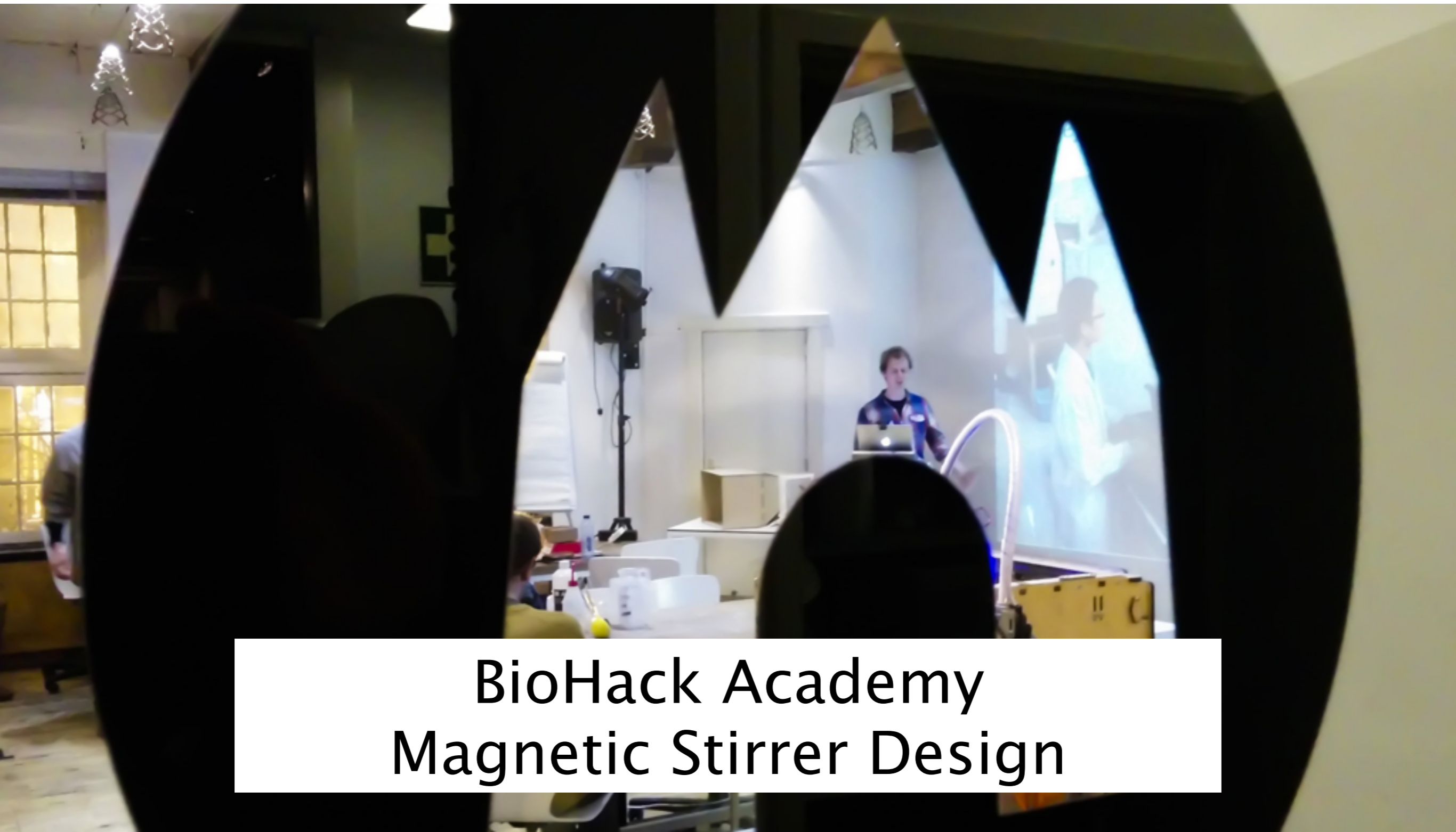




waag society

institute for art, science and technology



**BioHack Academy
Magnetic Stirrer Design**



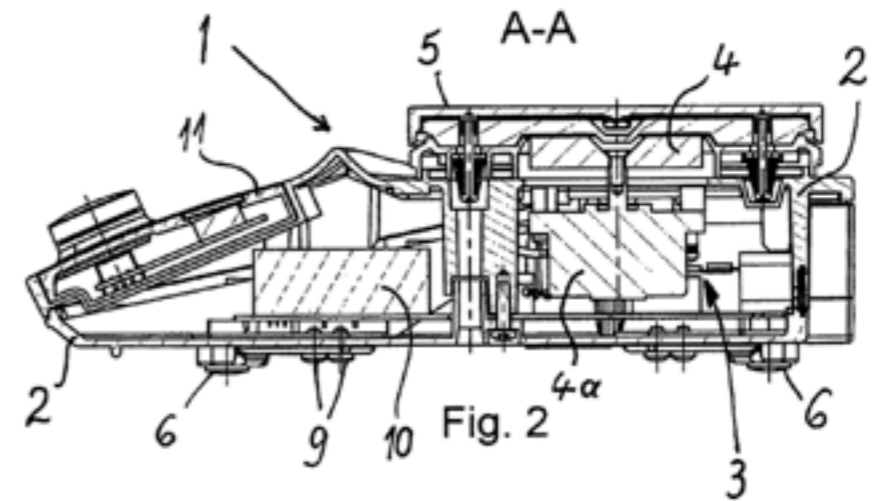
Magnetic stirrer use

- Mixing reactor content
- Nice to have:
 - Heat the liquid



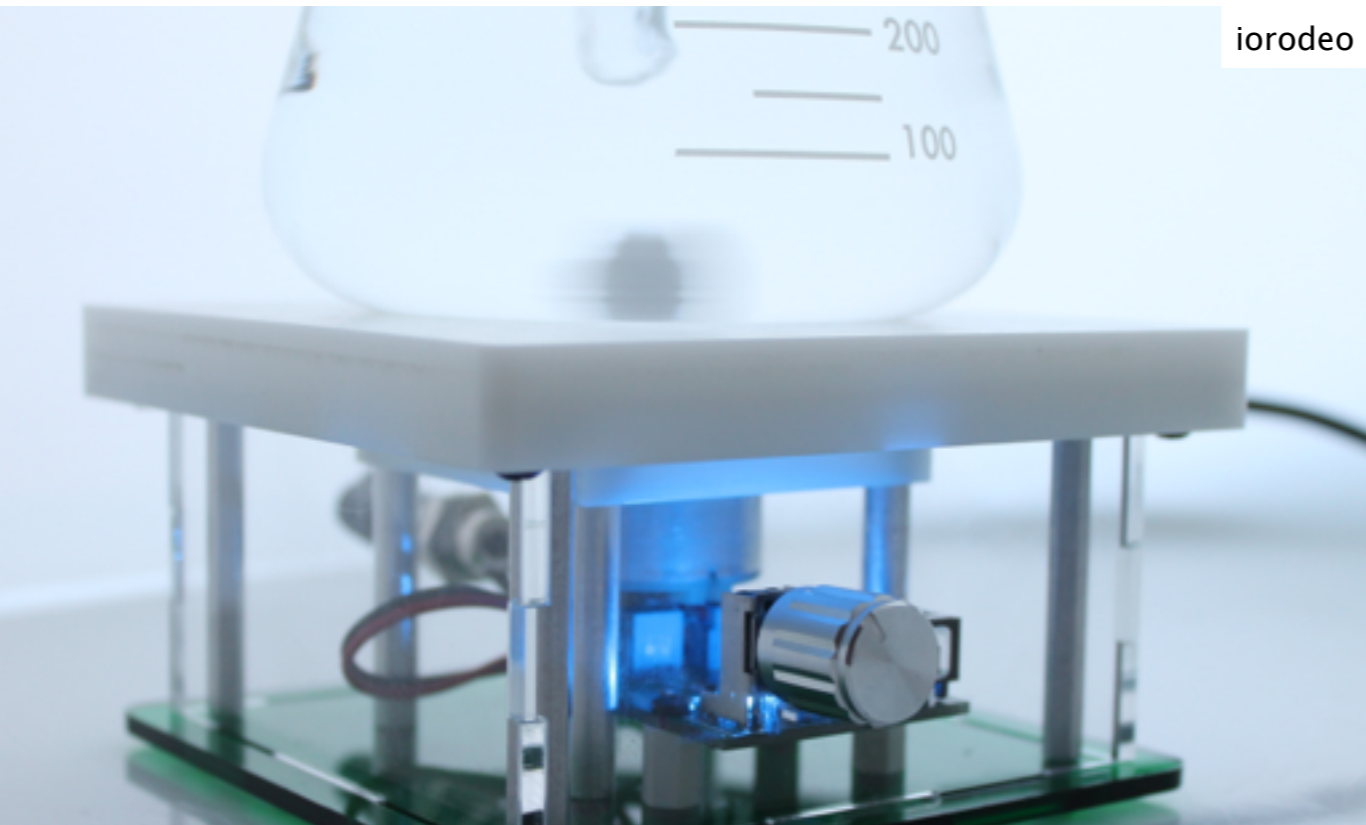


Industry standard

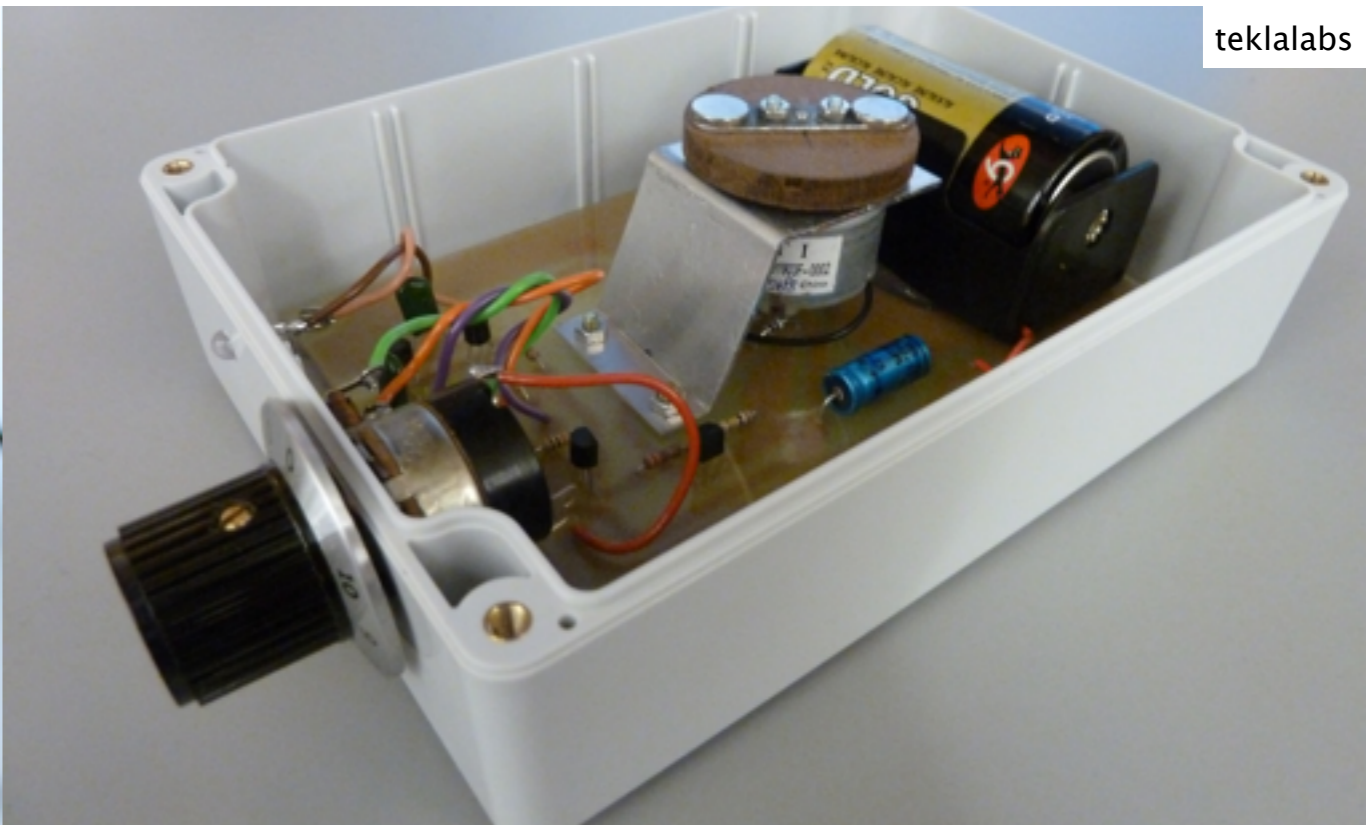




Stirrer hacks



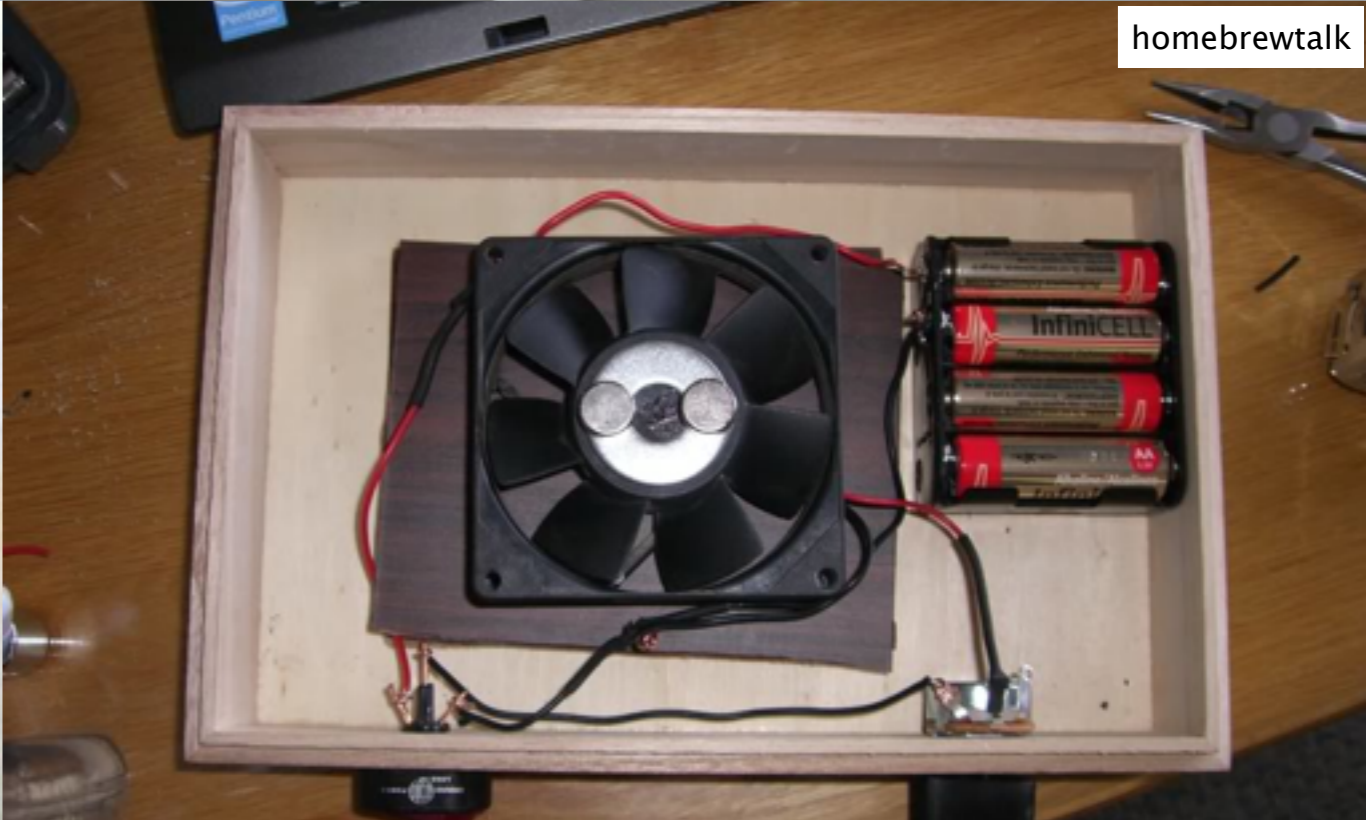
iorodeo



teklalabs



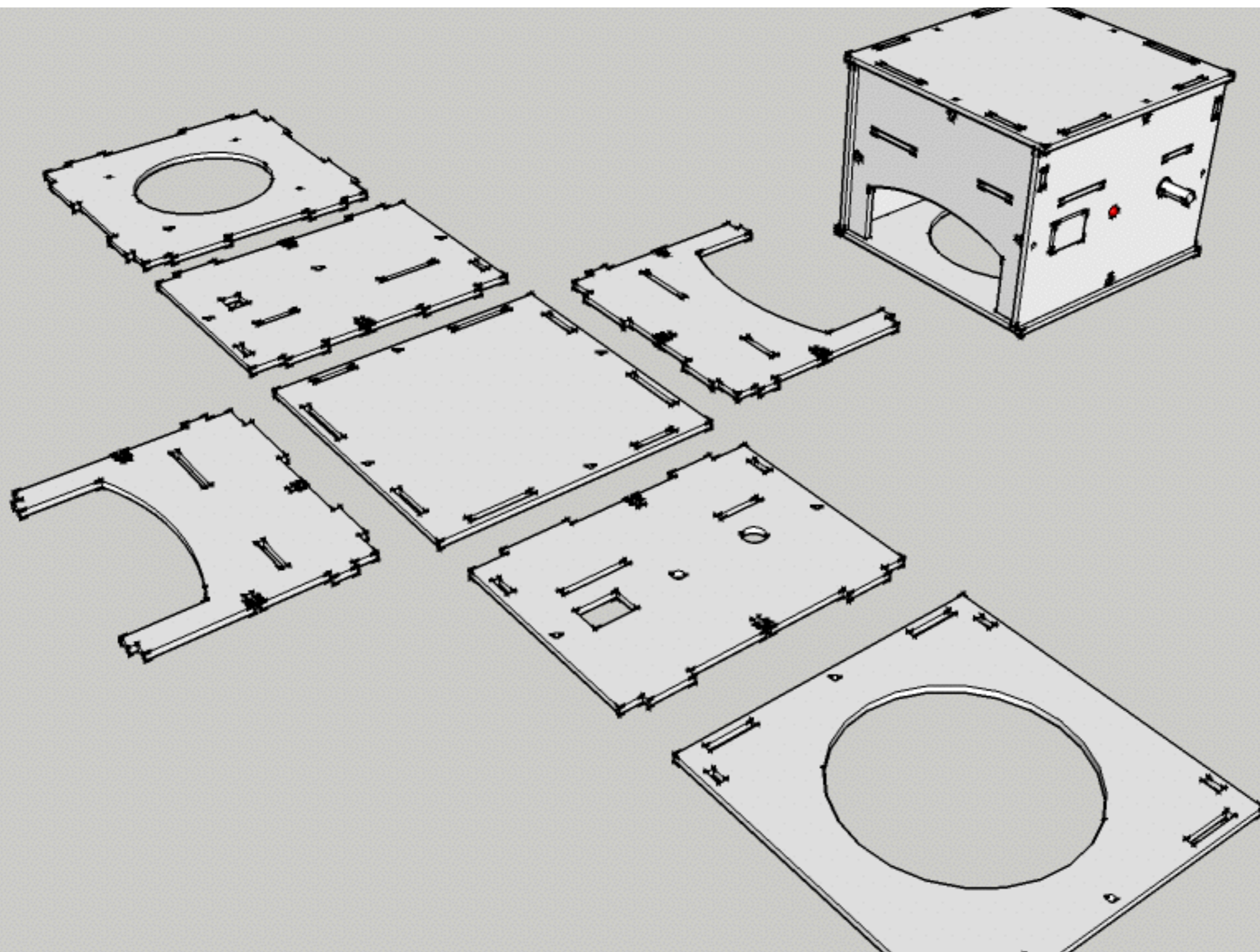
azoox



homebrewtalk

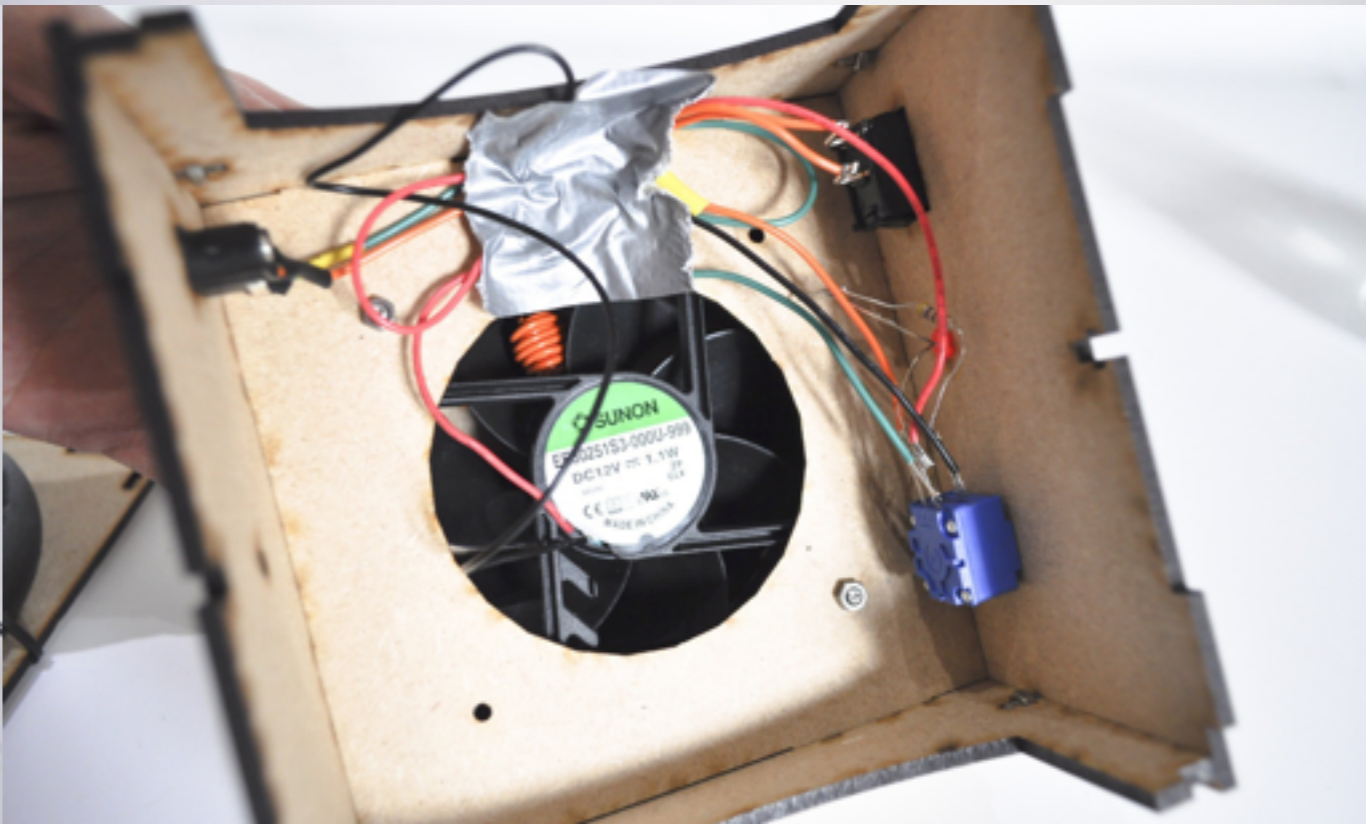


BioHack Academy 1 Design



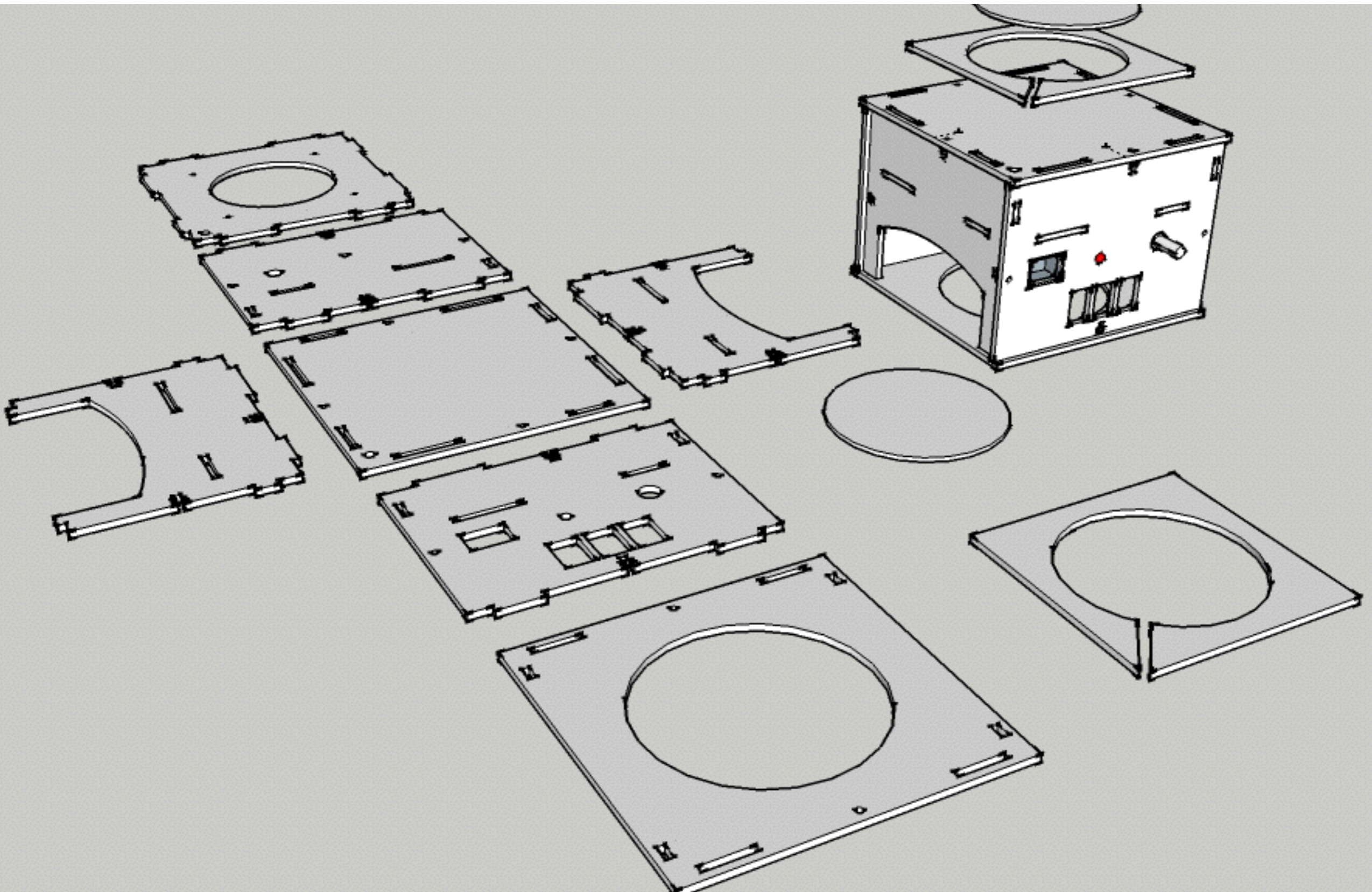


Some pictures



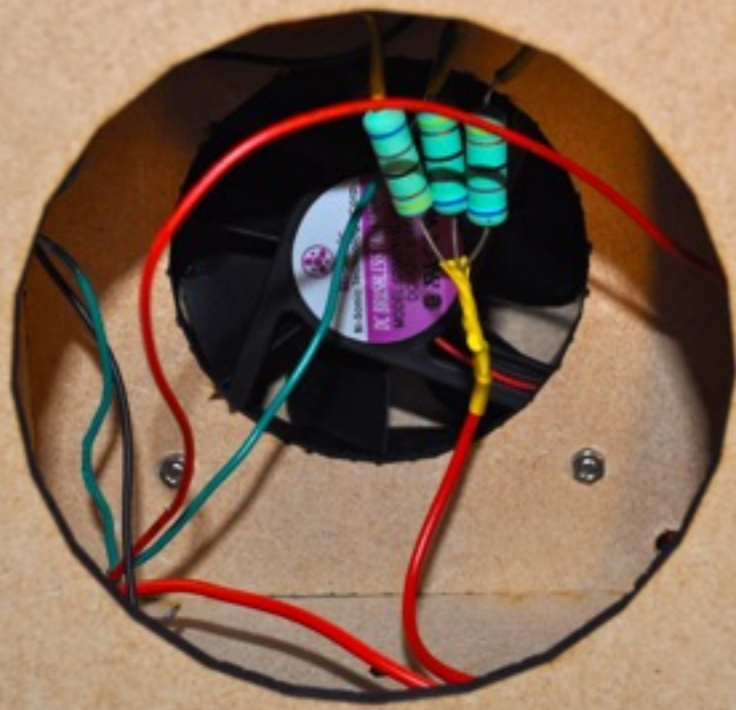


BHA 2 Design





Some pictures



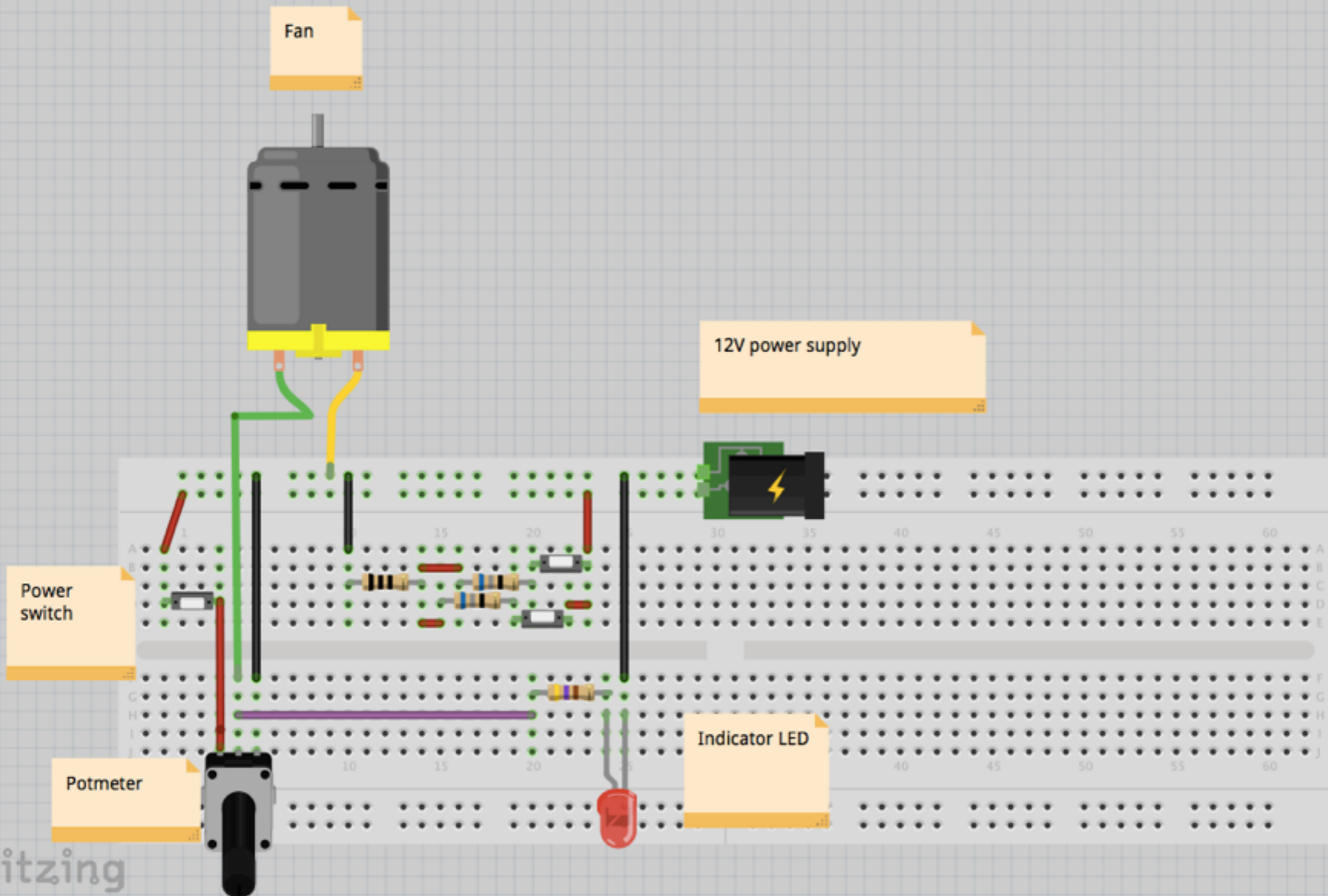


Bill of Materials

#	Amount	Description
1	1	Fan
2	2	Permanent magnets
3	1	Potentiometer 100 ohm 2W
4	1	Knob
5	4	Power switch
6	1	Power jack
7	1	Power supply
8	1	Red LED
9	1	470 ohm resistor
10	1	Magnetic stirring rod
11	1	Heating foil
12	4	Rubber feet
13	3	68 Ohm 5W power resistors

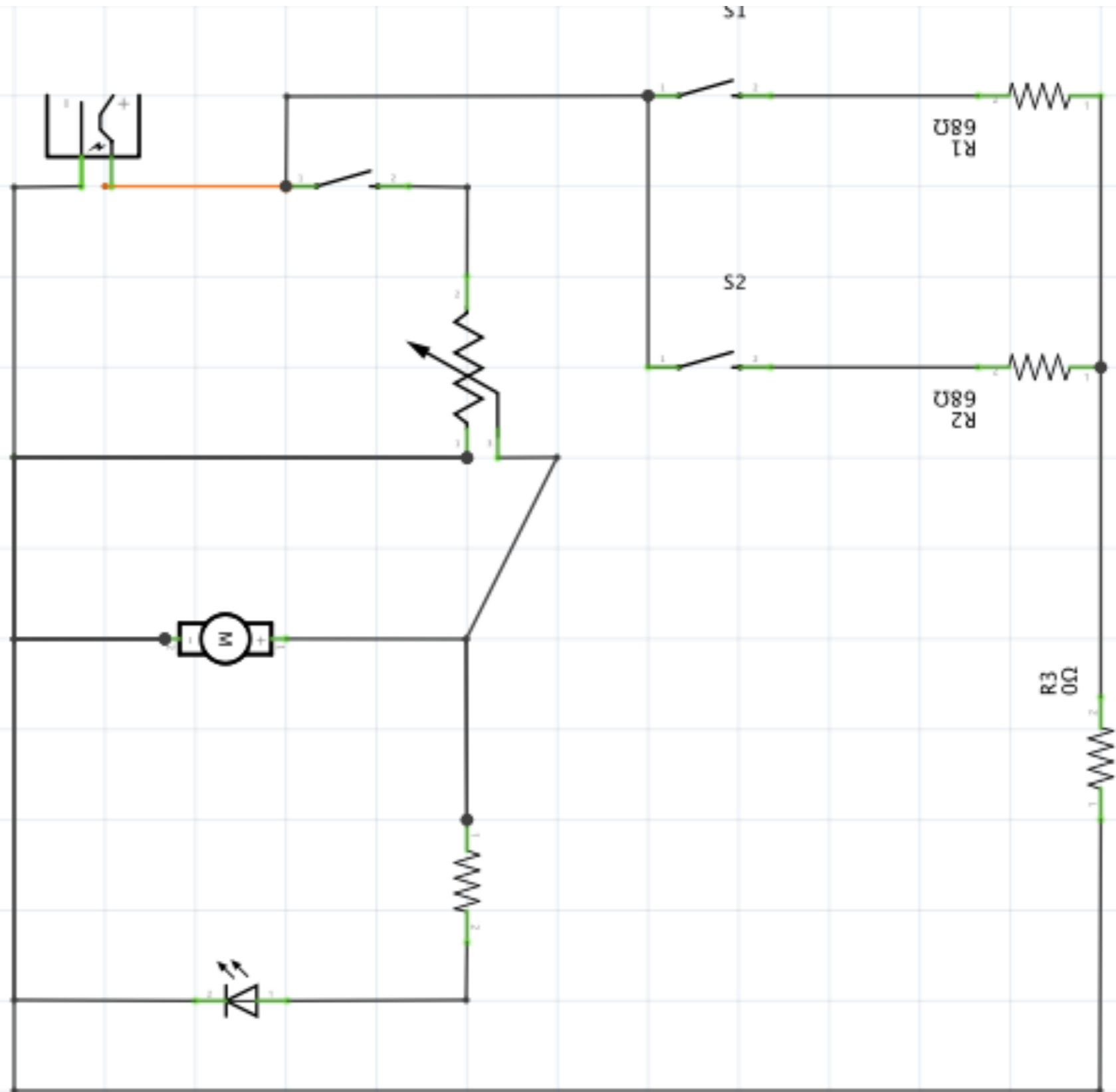


Wiring of the stirrer





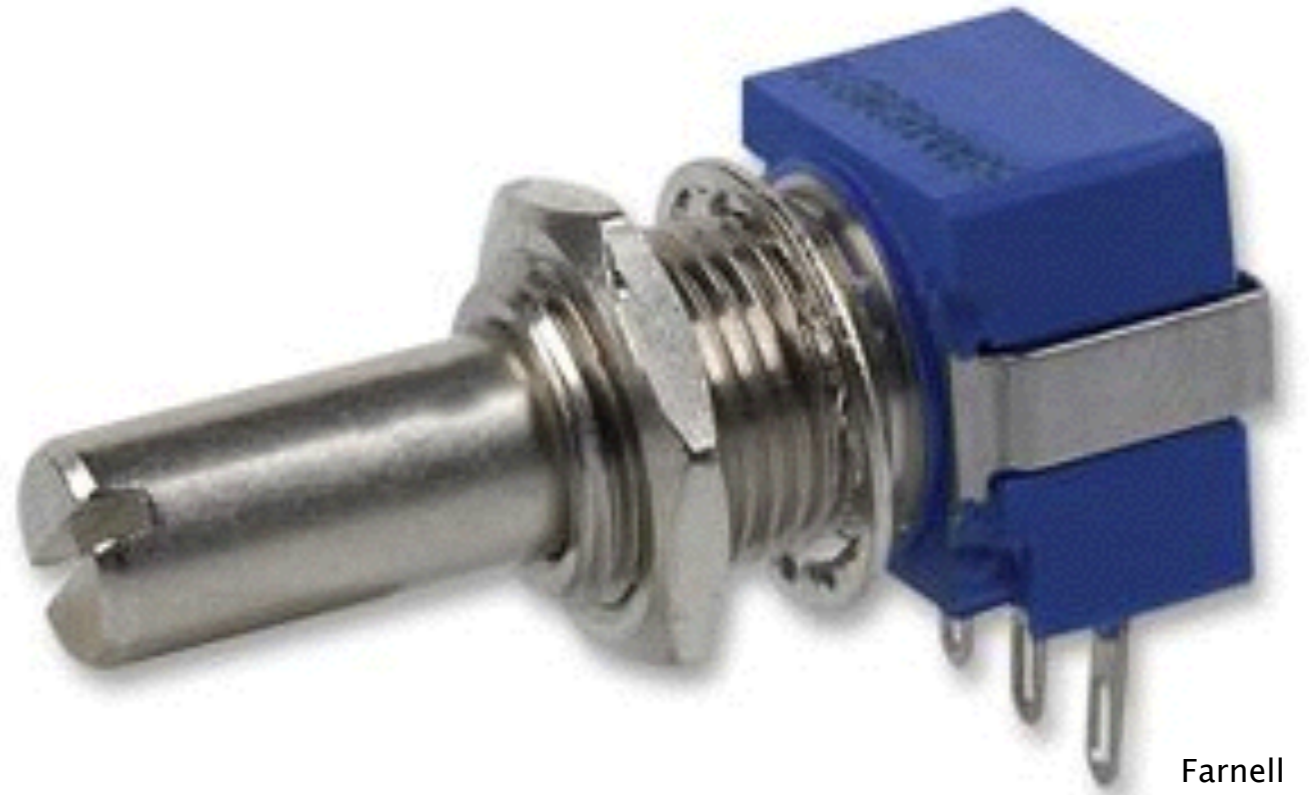
Wiring scheme of the stirrer





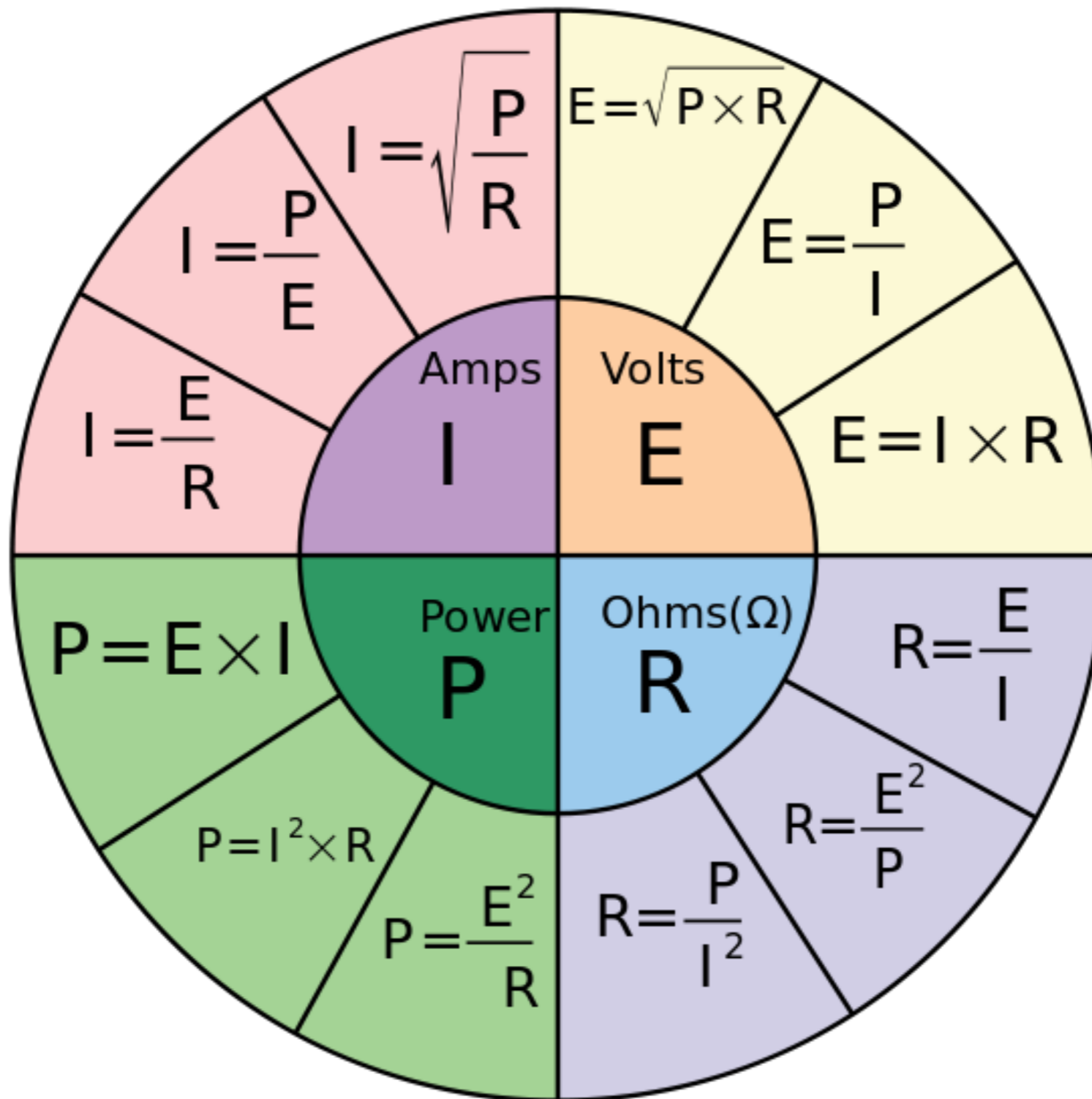
Choosing a potmeter

- 0.15 Ampere fan
- Resistance Fan = Voltage / Current
- Resistance Fan =
 $12 / 0.15 =$
80 Ohm
- So 100 Ohm to be sure





Ohm's Law





Choosing LED resistor

- LED forward voltage = 2.4
- Max current = 20 mA

- $R = V / I$
- $R = (12 - 2.4) / 0.02 = 480 \text{ ohm}$

- 470 ohm will be fine too

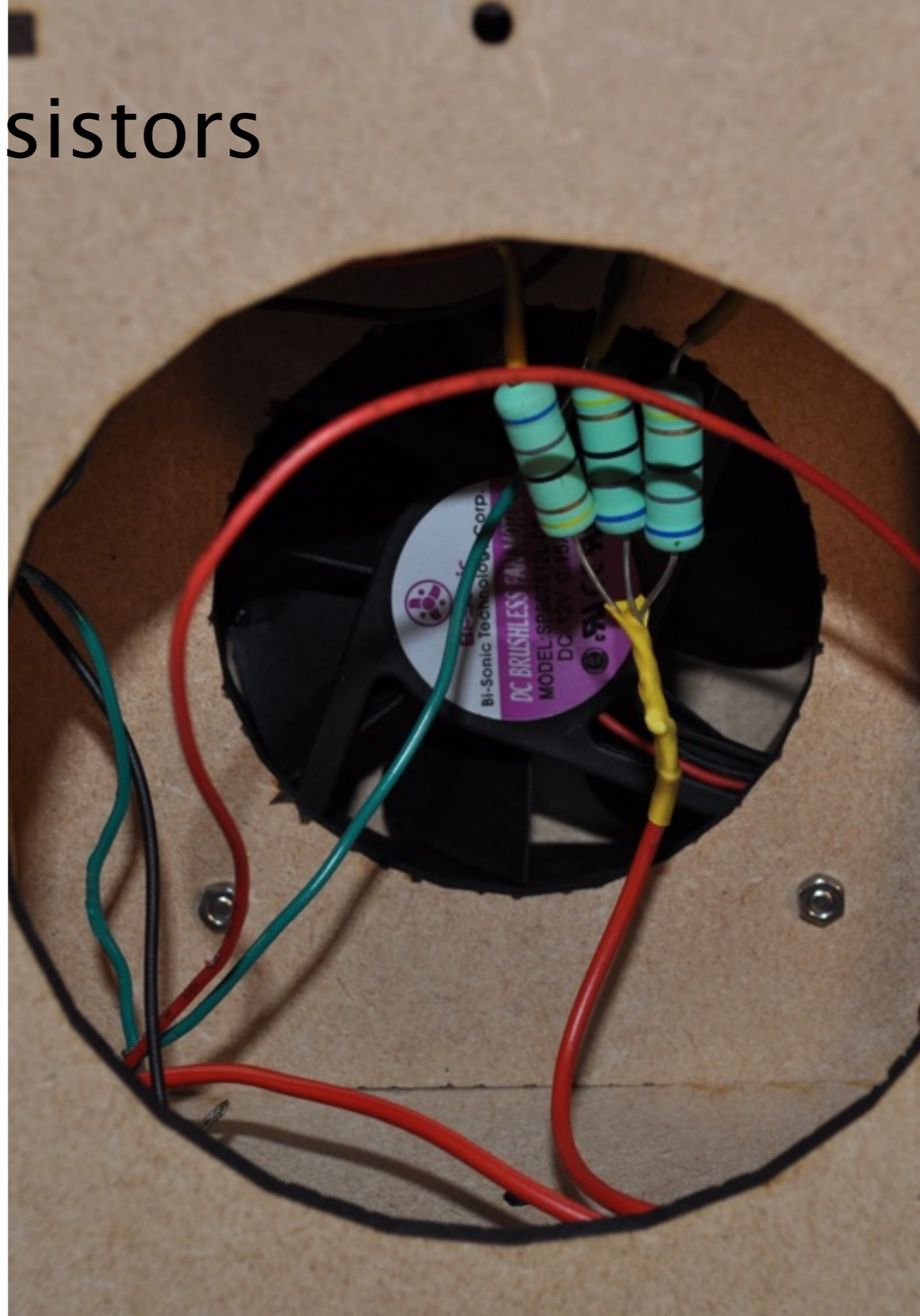




Heating Pad Resistors

- 68 Ohm
- 5 W
- 12 V

Current = Power /
Voltage = $5 / 12 = 0.41$
Amps





Heating Pad

- 12 Volts
- 22 Watts

- 0.41 Amps
- Power = Voltage x Current = 4.9 Watts





**some
rights
reserved**